



SMART GRID



SQUIRREL CAGE THREE PHASE ASYNCHRONOUS MOTOR

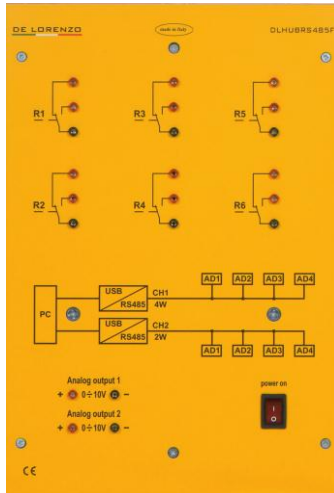


DL 1021/4

Induction motor with three-phase stator winding and squirrel cage buried in the rotor.

- Power: 1.5 kW
- Voltage: 220/380 V Δ/Y
- 4 poles
- Rated speed: 1500 rpm, 50 Hz
- Rated speed: 1800 rpm, 60 Hz

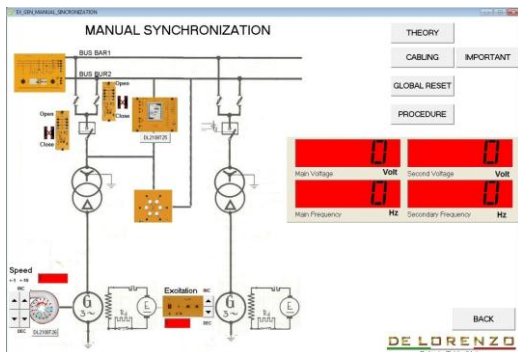
COMMUNICATION MODBUS



DL HUBRS485F

HUB that allows communication and control via PC of the measurement modules and brushless motors.

SCADA



DL SCADA-WEB

SCADA software for control and monitoring. With the possibility to show the application to different devices connected in the same network.