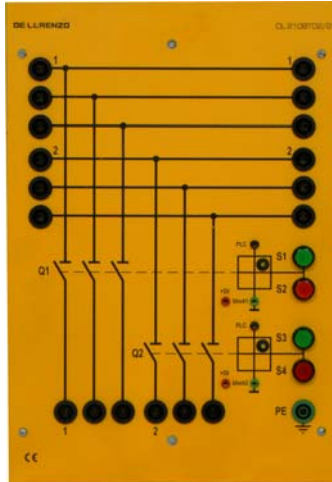


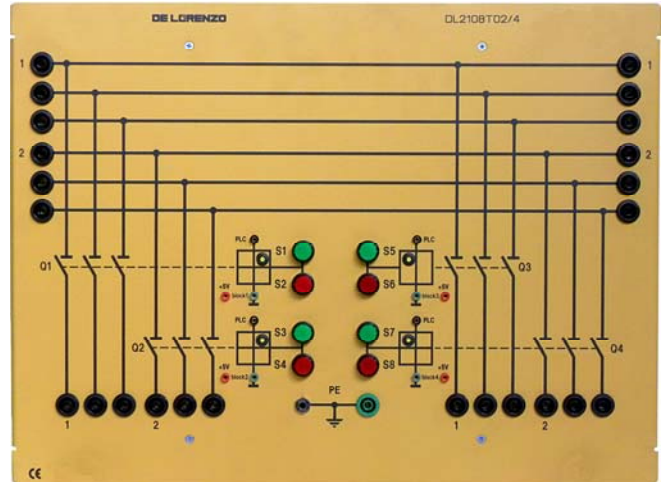


Double busbar with two disconnectors



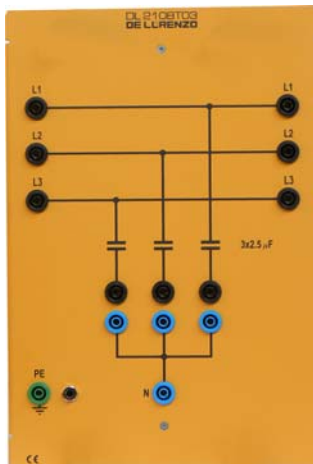
DL 2108T02/2

Double busbar with four disconnectors



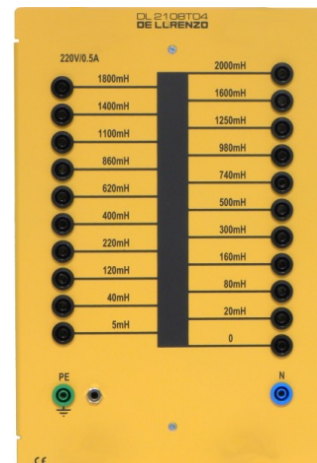
DL 2108T02/4

Line capacitor



DL 2108T03

Petersen coil



DL 2108T04

Three-phase capacitors in star connection with exactly half of the operating capability of the 380 kV transmission line model with a length of 360 km.
Capacitance: 3 x 2.5 μ F, 450 Vac

Inductance with 20 taps for earth fault compensation in transmission lines.
Inductance: 0.005 ... 2 H
Rated voltage: 220 V
Rated current: 0.5 A