



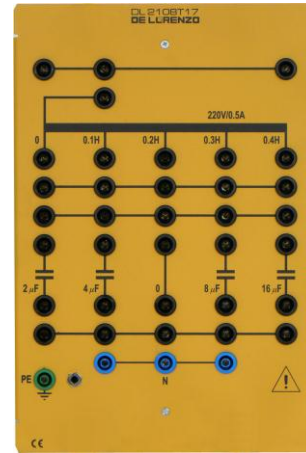
Directional relay



DL 2108T16

Multifunction relay suitable for protection of HV, MV, LV power transmission and distribution systems.
Accidental earth-fault directional relay for selective protection of the power supply in isolated neutral and earthed networks.
Three independent over current elements.
Two different thresholds for directional and non-directional current, with selectable trip.
Time tagged multiple event recording.
Oscillographic wave form capture.
Modbus RTU / IEC870-5-103.
Switch control through serial port.
Communication protocol.
Complete with Data Logger system.

L/C loads



DL 2108T17

Inductive and capacitive loads suitable for simulating various fault types, in order to trigger the single-phase directional relay.
Inductance: 0.1 / 0.2 / 0.3 / 0.4 H
Rated voltage: 220 V, 50 Hz
Rated current: 0.5 A
Capacitance: 2 / 4 / 8 / 16 μ F
Rated voltage: 450 Vac