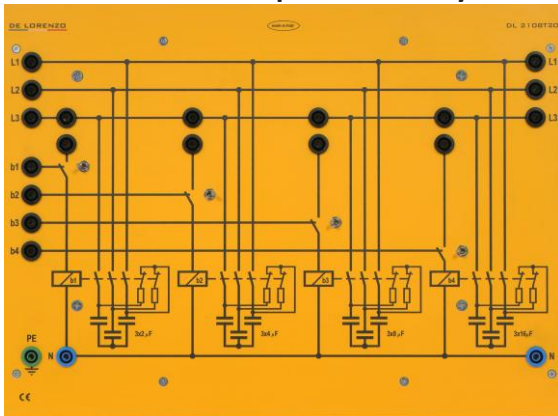




Switchable capacitor battery



DL 2108T20

Switching system with which different capacitance values can be connected to the mains for reactive power compensation.

Four switching levels each consisting of 3 capacitors in star connection with discharging resistors:

- level 1 (b1 coil): 3 x 2 μF /450 V
- level 2 (b2 coil): 3 x 4 μF /450 V
- level 3 (b3 coil): 3 x 8 μF /450 V
- level 4 (b4 coil): 3 x 16 μF /450 V

Compensation power: max 1360 VAR at 50 Hz, 380 V

Each switching level can be controlled separately:

- internally, through 4 toggle switches
- externally, through 4 control inputs

Coil operating voltage: 220 Vac

Differential transformer relay



DL 2108T21

Three-phase percentage biased differential and restricted earth fault protection relay for 2 or 3 winding transformers with only one source of supply.

Two phase overcurrent plus earth fault relay with programmable time-current curves suitable for protection of HV and MV transmission and distribution systems.

Distance protection relay



DL 2108T22

Suitable for the requirements of a complex field unit for overhead lines and cables on compensated or resistance grounded networks.

It includes over current, over/under voltage and over/under frequency protection.

Feeder manager relay



DL 2108T23

Three-phase current, voltage and earth fault multifunction relay for protection and management of MV/HV distribution lines.