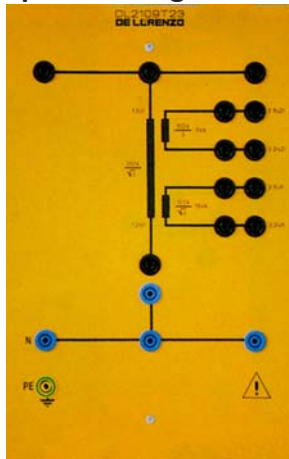




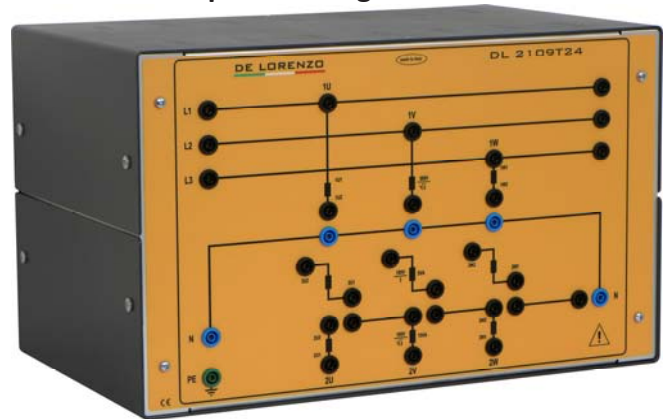
Single-phase voltage transformer



DL 2109T23

Voltage transformer for measuring and protection.
 Rated primary voltage: $380\text{ V}/\sqrt{3}$ (220 V)
 Rated secondary voltages:
 100 V/ $\sqrt{3}$, Performance 15 VA
 100 V/3, Performance 5 VA
 Accuracy class: 1
 Frequency: 50 - 60 Hz

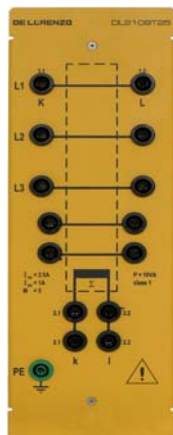
Three-phase voltage transformer



DL 2109T24

Three single-phase voltage transformers for measuring and protection.
 Rated primary voltage: $380\text{ V}/\sqrt{3}$ (220 V)
 Rated secondary voltages:
 100 V/ $\sqrt{3}$, Performance 15 VA
 100 V/3, Performance 5 VA
 Accuracy class: 1
 Frequency: 50 - 60 Hz

Summation current transformer



DL 2109T25

Ring-type core current transformer suitable for the detection of earth faults and for current determination with differential protection.
 Primary rated current: $5 \times 2.5\text{ A}$
 Transformation ratio: 2.5/1
 Secondary rated current: 1 A
 Rated power: 10 VA
 Accuracy class: 1

Power meter



DL 2109T26

Single-phase panel meter for the measurement of active power and capacitive/inductive reactive power. Measurement ranges:
 • voltage: 3/10/30/100/300/1000 V
 • current: 0.1/0.3/1/3/10/30 A
 Frequency ranges:
 • active power: 0 ... 20 kHz
 • reactive power: 50 Hz
 LED indicators: capacitive reactive power, inductive reactive power, over-load voltage (with acoustic sound), overload current (with acoustic sound).
 Auxiliary supply: single-phase from mains