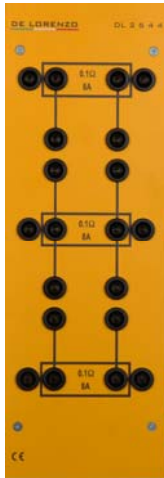




## SUPPORT WITH 3 SHUNTS 0.1 OHM



DL 2644

Support with 3 shunts, with different connection possibilities.

### Technical features:

Resistance: 0.1  $\Omega$   
Accuracy:  $\pm 1\%$   
Max. current: 8 A

## PWM CONTROL UNIT



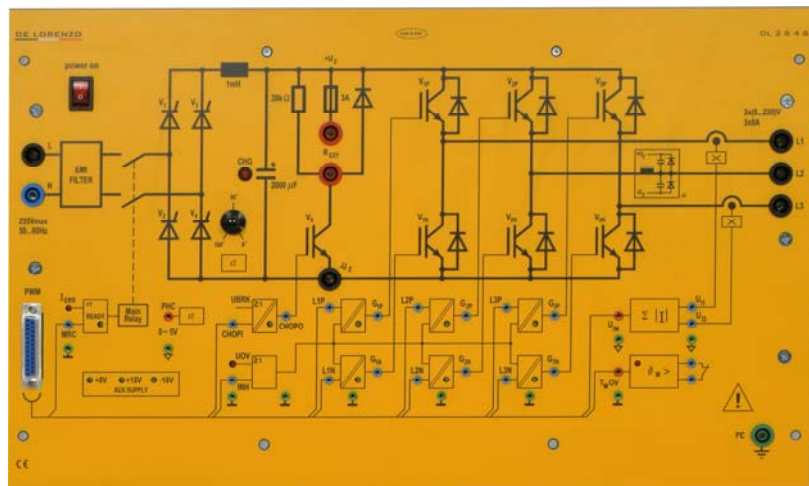
DL 2648

Control unit used in conjunction with the frequency converter to build a voltage-source inverter which operates according to different controls.

All of the control, monitoring and measuring functions are integrated into the control unit (a microcontroller implements the management via a program stored in EPROM) while the frequency converter contains solely the power components. A PWM modulator controls the power transistors of the inverter and thus generates a sine-shaped motor current. Modulation possibilities: PWM, VVC, trapezium shaped and block type.

## FREQUENCY CONVERTER

Transistor pulse-converter with pulse driven voltage source inverter and transistor for the generation of a three-phase, variable frequency and variable voltage system. In conjunction with the PWM control unit DL 2648 this device is used for the realization of a frequency converter for asynchronous motor drive.



DL 2646

### Technical features:

Output voltage: 3 x 0...230 V  
Output current: 3 x 8 A max.  
Supply voltages:  
power circuit, 1 x 255 V max, 50/60 Hz control circuit, single-phase from mains