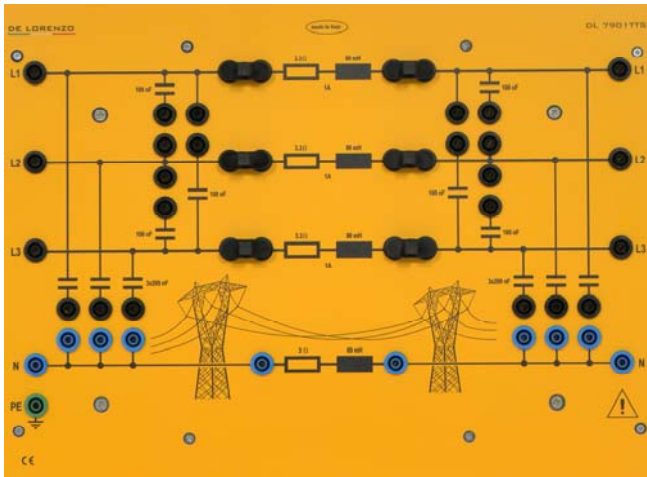




LINE MODEL



DL 7901TTS

Three-phase model of an overhead power transmission line 110 km long, voltage 380 kV and current 1000 A.

- Scale factor: 1:1000

MAXIMUM DEMAND METER



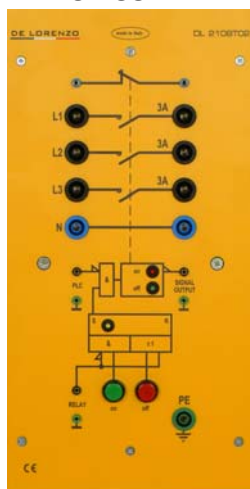
DL 2109T29

Microprocessor controlled three-phase power analyzer.

Measurement of voltages, currents, frequencies, active power, reactive power, apparent power.

- Input voltage: 500 V (max 800 Vrms)
- Input current: 5 A (max 20 Arms)
- Operating frequency: 47 ÷ 63 Hz
- Auxiliary supply: single-phase from mains

POWER CIRCUIT BREAKER



DL 2108T02 and DL 2108T02A

Three-phase power circuit breaker with normally closed (DL 2108T02) or normally open (DL 2108T02A) auxiliary contact.

- Contact load capability: 400 Vac, 3 A
- Supply voltage: single-phase from mains